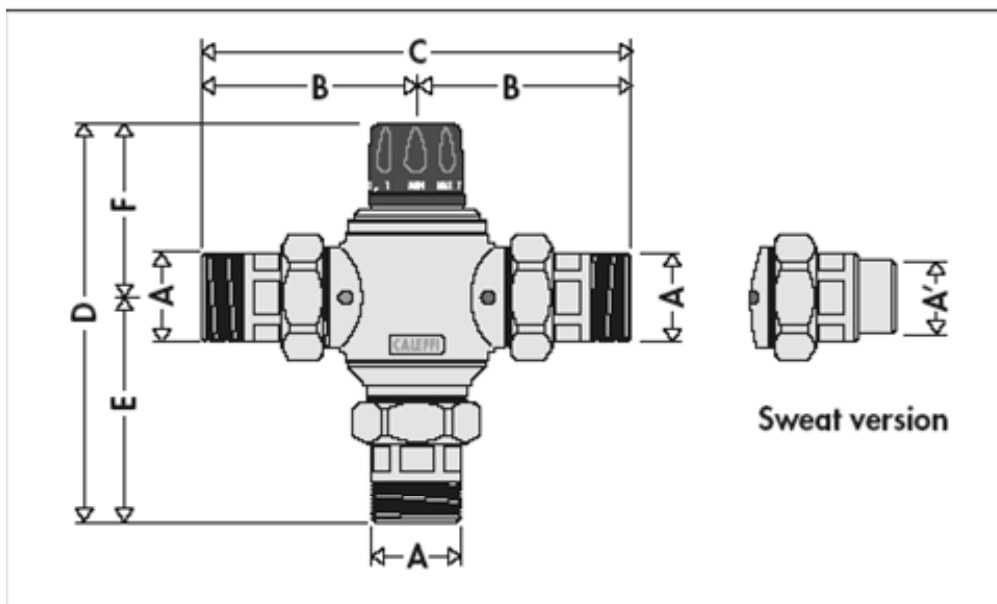


CALEFFI Thermostatic Mixing Valves

Series 5230

NSF Listed to meet ASSE 1070 Standards

Dimensions



Code	A	B	C	D	E	F	Weight (lb)
523055A	3/4" NPT	3-5/16"	7-7/8"	7-3/16"	4-1/4"	2-15/16"	5
523057A	3/4" SWT	3-5/16"	7-7/8"	5-15/16"	3"	2-15/16"	5
523065A	1" NPT	3-13/16"	7-5/8"	7-1/16"	4-1/8"	2-15/16"	5
523067A	1" SWT	3-5/16"	7-7/8"	6-3/16"	3-1/4"	2-15/16"	5