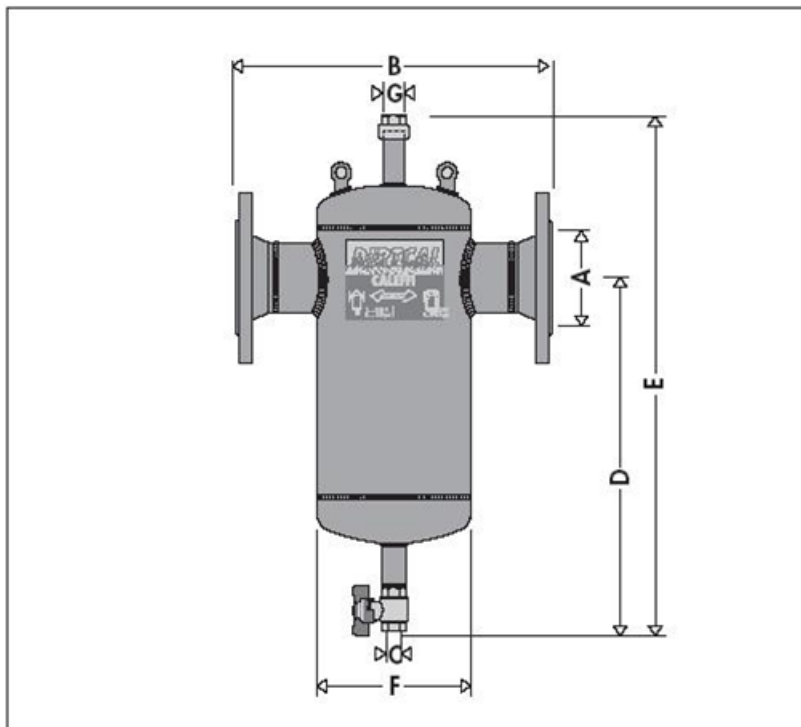
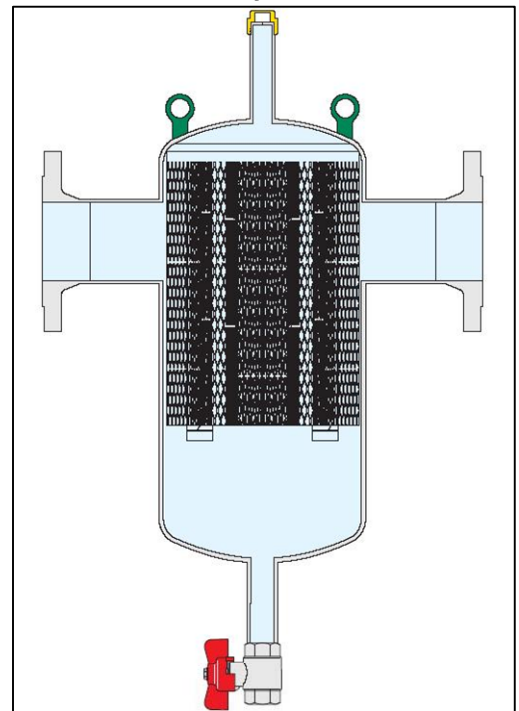


# CALEFFI Commercial DIRTICAL Dirt Separators Series 5465

## Dimensions



## Cutaway View



Code	A	B	C	D	E	F	G	Weight (lb)
546550A	2"	13-3/4"	1"	14-3/4"	24-7/16"	6-5/8"	3/4"	29
546560A	2-1/2"	13-3/4"	1"	14-3/4"	24-7/16"	6-5/8"	3/4"	32
546580A	3"	18-3/8"	1"	17-1/8"	29-1/8"	8-5/8"	3/4"	51
546510A	4"	18-1/2"	1"	17-1/8"	29-1/8"	8-5/8"	3/4"	54
NA546550A	2"	13-3/4"	1"	16-5/16"	23-7/8"	6-5/8"	3/4"	38
NA546560A	2-1/2"	13-3/4"	1"	16-5/16"	23-7/8"	6-5/8"	3/4"	38
NA546580A	3"	18-3/8"	1"	20-11/16"	30-5/8"	8-5/8"	3/4"	55
NA546510A	4"	18-3/8"	1"	20-11/16"	30-5/8"	8-5/8"	3/4"	55
NA546515A	6"	25"	1"	23-3/16"	34-15/16"	12-3/4"	3/4"	148