

DataLogger

DL2



Function

The DL2 data logger enables the acquisition and storage of large amounts of data (such as energy metering and recorded values of the solar system) over a long period of time when connected to an iSolar controller. The DL2 is compatible with all iSolar controllers with VBus data connection terminals and is connected to the VBus with two conductor wire (bell wire) at least 20 AWG up to a distance of 150 feet.

The DL2, when connected to a network through the integrated ethernet socket, can be configured and viewed with any standard internet browser via its integrated web interface. A configuring IP address and password protection allows for access from any PC with an internet connection for system monitoring of energy metering or for reviewing system performance, without additional software. Download data through the web interface or an SD memory card for further data processing in spreadsheet programs

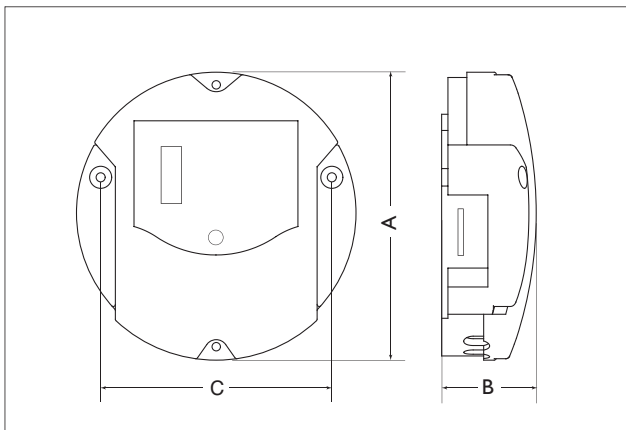
Product range

Code 257201A DL2 data logger connects to VBus data terminals on iSolar controllers

Technical specifications

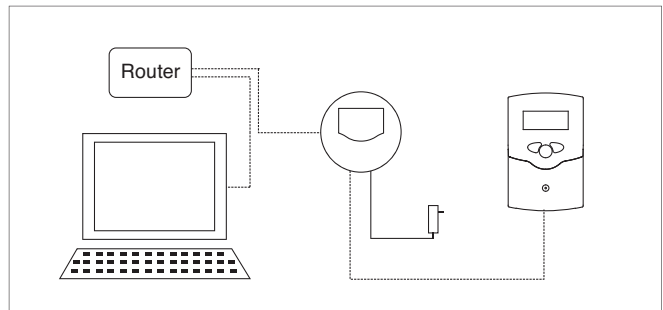
Housing:	PC-ABS Thermoplastic
Protection type:	indoor
Ambient temperature:	32 ... 100° F (0 ... 40° C)
Mounting:	wall
Display:	bar LED
Input voltage:	5V DC ±5%
Power voltage adapter:	100 ... 240 V~
Rated current:	350 mA
Ethernet connection:	integrated socket
Data access	integrated SD slot
Memory:	180 MB internal memory

Dimensions



Code	A	B	C	Ø	Weight (lb)
257201A	5 1/8"	1 3/4"	4 7/16"	1/4" mount	3.0

Connection



Integrated Web interface

