



Get in the Zone with

Z-one™

ZONE VALVES

“With the proven reliability of Caleffi zone valves, I am more convinced than ever that zoning with valves is preferable to pumps.”

*A. Hagen
Radiant Engineering, Inc.
Bozeman, MT*



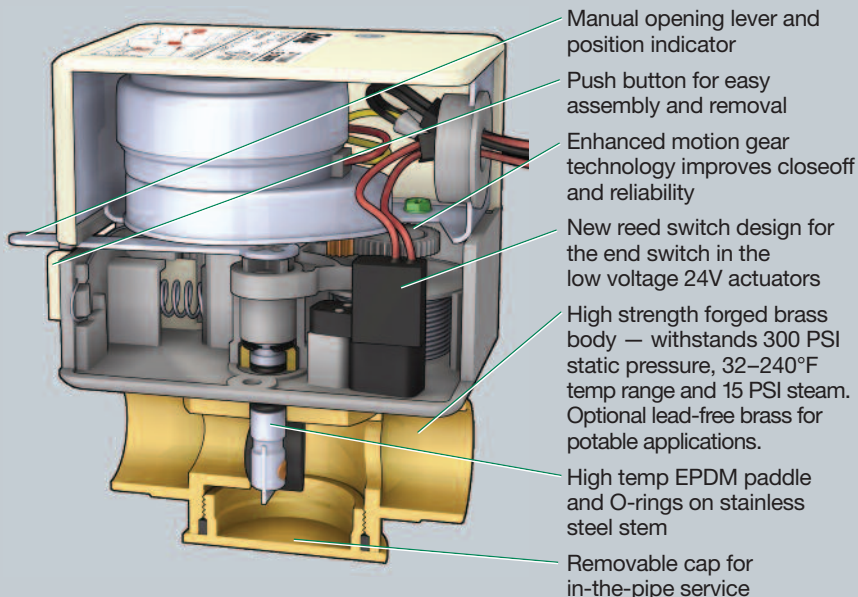
“On a zone valve job that absolutely must perform season after season, I go with Caleffi valves — highly engineered like all of their products.”

*Zbigniew “Zibi” Jonak
Jonak Advanced H&P
Chicago, IL*



Caleffi Z-one Advantages


- **Compact design** — fits inside baseboards and fan coils.
- **Economical operation** — 7VA current draw allows up to five valves per 40VA transformer.
- **Universal** — all-temperature components for chilled or hot water up to 240°F, 15 psi steam, open and closed systems.
- **Slow close technology** — 21:1 gear ratio increases torque for high close-off pressure and increases closing time to eliminate water hammer.
- **Easy to install and remove** — in-line push button allows installation and removal of the actuator in seconds.
- **Cost effective systems** — hermetically sealed end switch in 24V actuators requires no minimum current load allowing multiple end switches connected in parallel to zoning panel.



Z-one — the Universal Zone Valve

Feature Comparison



Features	Caleffi Z-one Series	Honeywell 8043 1000 Series	Honeywell 8043 5000 Series	Erie PopTop GCO Series	White Rodgers 1361/1311 Series	White Rodgers 13X16 Direct-Connect Series	Taco EBV/ESP Series	Taco 5XX Series	The Caleffi Advantage
Configurations available from 1/2" through 1-1/4" sizes	■	—	—	■	—	—	—	■	Caleffi Universal Valve is easier to select, and reduces required skus and inventory costs.
Forged brass body rated for 300 psi static pressure	■	—	■	■	—	—	■	—	
Superior close off pressure (close off ≥ 30 PSI at 3.5 Cv)	■	—	—	upcharge to HCO	—	—	■	■	
Rated for high boiler feedwater makeup and open system applications	■	—	—	—	—	■	—	Geothermal models	
Rated for high temp water, chilled water, and steam applications	■	—	—	upcharge to VS	—	—	—	—	Lower installed system cost.
Can connect 5 valves on 40 VA transformer	■	■	■	■	—	—	■	—	
Can connect unlimited # of 24V actuator end switches in parallel to one zoning panel/thermostat	■	—	—	—	—	—	—	—	Caleffi's patent pending reed switch features electrical contacts that are hermetically sealed from potential exposure to air-born contaminants.
Easy to remove actuator without install screws or linkage	■	—	■	■	—	■	■	■	In-line, push button removable actuator is simple to in tight areas.
Valve servicable in-the-pipe	■	—	■	■	—	—	—	—	Removable bottom allows convenient access to parts if service were ever to be required.
Corrosion/oxidation resistant condensation from enclosure	■	—	—	—	■	■	■	■	Withstands environmental corrosion including chilled water applications.
Transmission disengagement upon valve seating	■	—	—	—	—	—	—	—	"Enhanced Motion" gear technology eliminates noisy motor backspin upon valve closing, reduces teeth stress and maximizes gear life.
21:1 drive train gear ratio	■	—	—	—	NA	—	NA	NA	Z-one transmission with extra gear doubles gear ratio, delivers superior close-off performance and eliminates water hammer.
Extra large valve cavity	■	—	—	—	—	—	—	—	Quieter operation and contributes to suppressing water hammer effect.
Optional lead-free brass body 	■	—	—	—	—	—	—	—	Lead Plumbing Law Compliance certified by IAPMO R&T (<.25% max) for potable water applications.

For detailed specifications visit us at: www.caleffi.us

3883 W. Milwaukee Road
Milwaukee, WI 53208
Tel: 414.238.2360, Fax: 414.238.2366

